



Dellonda 60L Fillable Parasol Base with Wheels and Cross Base, Water or Sand Filled

Model No: DG266

Thank you for purchasing a Dellonda product. Manufactured to a high standard, this product will, if used according to these instructions, and properly maintained, give you years of trouble free performance.

Important Information

Please read these instructions carefully. Note the safe operational requirements, warnings & cautions. Use the product correctly and with care for the purpose for which it is intended. Failure to do so may cause damage and/or personal injury and will invalidate the warranty. Keep these instructions safe for future use.

About the Product

Parasol base suitable for use with Dellonda Model No's. DG264 & DG265 as well as other parasols subject to size.

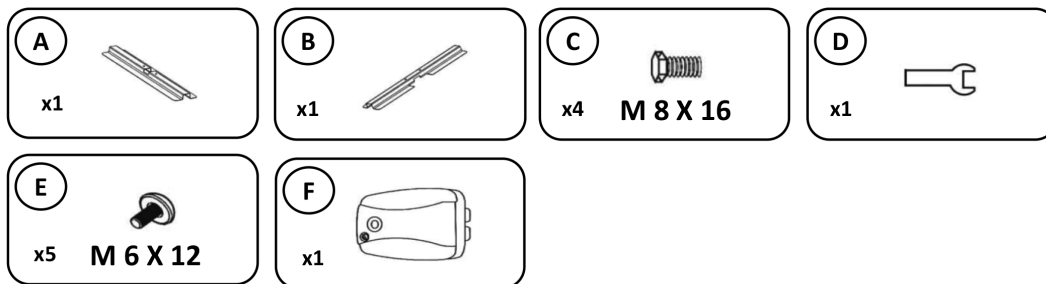


Refer to
instruction
manual

Safety Instructions

- **GENERAL SAFETY**
- **WARNING!** The warnings, cautions and instructions in this manual cannot cover all possible conditions and situations that may occur. It must be understood by the operator that common sense and caution are factors which cannot be built into this product, but must be applied by the end user. Offset patio umbrellas are designed to provide protection from the sun NOT the wind.
- Always ensure base is filled, with sand or water.
FAILURE TO CAREFULLY OBSERVE THESE SAFETY WARNINGS CAN RESULT IN CATASTROPHIC DAMAGE TO YOUR UMBRELLA, POTENTIAL PERSONAL INJURY AND OR PROPERTY DAMAGE.
- **IMPORTANT INFORMATION**
If the umbrella is showing ANY signs of stress, or IF the umbrella begins to move around excessively even when properly weighted it indicates the wind is too strong and the umbrella must be closed and secured immediately.

Contents

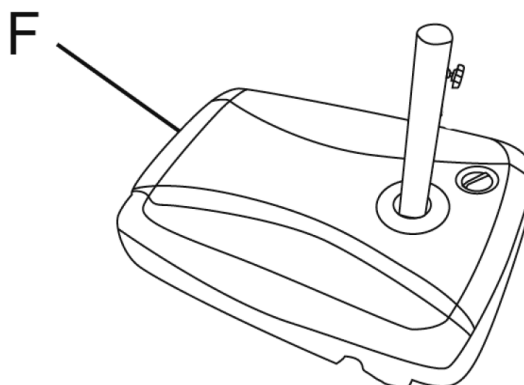


Assembly

Attach post from umbrella to
'cross pieces A & B with fixings C



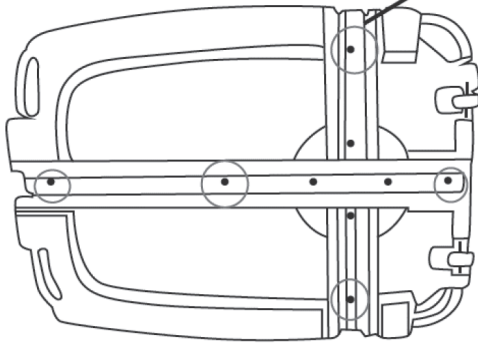
Place tank F over cross pieces and post



Bolt cross pieces to bottom of tank with fixings E



Fill tank with water/sand. Place umbrella in upright and secure with thumbscrew.



Environment Protection and Waste Protection and Electrical Equipment Regulations (WEEE)

Recycle unwanted packaging materials. When this product is no longer required, or has reached the end of its useful life, please dispose of it in an environmentally friendly way. Drain any fluids (if applicable) into approved containers, in accordance with local waste regulations. Under the Waste Batteries and Accumulators Regulations 2009, Dellonda would like to inform the user that this product contains one or more batteries. It is our policy to continually improve products and we reserve the right to alter data, specifications and parts without prior notice. No liability is accepted for incorrect use of this product. Guarantee is 12 months from purchase date, proof of which is required for any claim.

Dellonda Limited

Kempson Way, Suffolk Business Park, Bury St Edmunds, Suffolk. IP32 7AR

 01284 757575  support@dellonda.co.uk  www.dellonda.co.uk